

# SPECIFICATIONS



Gross Power  
66.3 HP (49.5kW) - 73.6 HP (54.9kW)

Operating Capacity  
620 - 1490 kg

Operating Weight  
3847 - 4320 kg

## HS80V/HS120V/HT100V

SKID STEER LOADER & COMPACT TRACK LOADER

building a  
comfortable  
tomorrow

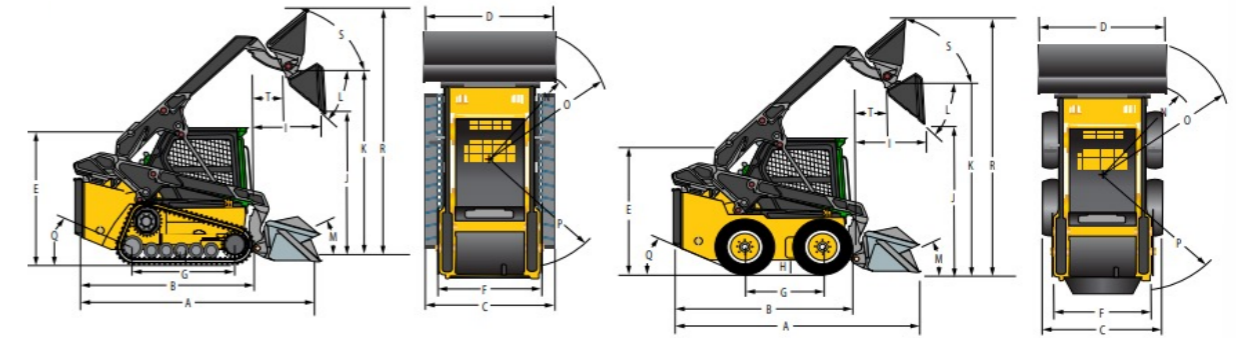
# HYUNDAI

# HS80V/HS120V/HT100V SPECIFICATIONS

		HS80V	HS120V	HT100V
<b>SPECIFICATION</b>				
Operating weight	kg	3404	3847	4320
<b>ENGINE</b>				
Manufacturer		Hyundai	Hyundai	Hyundai
Model		4HT5	4HT15	4HT15
Type		Electronically controlled and turbocharged	Electronically controlled and turbocharged	Electronically controlled and turbocharged
Emission standard		Stage V	Stage V	Stage V
Gross	HP(kW)	66.3 (49.5)	73.6 (54.9)	73.6 (54.9)
Net	HP(kW)	63 (47)	69.7 (52)	69.7 (52)
Peak torque	Nm	237	274	274
No. of cylinders		4	4	4
Bore x Stroke	mm	87 x 102.4	87 x 102.4	87 x 102.4
Displacement	cc	2,435	2,435	2,435
<b>HYDRAULIC SYSTEM</b>				
Basic Flow Max. pressure	Bar(psi)	219 (3176)	230 (3335)	230 (3335)
Basic Flow Max. flow rate	l/min	64	82.9	82.9
Basic Flow Hydraulic Power	kW(hp)	22.9 (30.7)	31.1 (41.8)	31.1 (41.8)
High Flow Max. pressure	Bar(psi)	-	150 (2176)	150 (2176)
High Flow Max. flow rate	l/min	-	128.8	128.8
High Flow Hydraulic Power	kW(hp)	-	31.5 (42.3)	31.5 (42.3)
Fuel Tank capacity	L	94	100	100
Hydraulic Tank Capacity	L	31	38	38
<b>PERFORMANCE</b>				
Bucket breakout force (ISO)	kN	16.8	28.2	27.6
Lift Arm tearout force (ISO)	kN	171	194	21.2
Lift Arm Path		Vertical	Vertical	Vertical
Rated Operating Capacity - 35% Tipping Load	kg	620	854	1043
Rated Operating Capacity - 50% Tipping Load	kg	885	1220	1490
<b>UNDERCARRIAGE</b>				
Track Width	mm	-	-	400
Standard Tire Size		10-16.5 8PR	12-16.5R 12PR	-
Ground Pressure	kgf/cm <sup>2</sup>	-	-	0.4
Travel Speed Low/High	Km/H	11.4	11.5/19.4	7.5/11.5
Tractive Force	kN	26.4	37.8	28.8
Ground Clearance	mm	140	195	230
<b>SOUND LEVEL</b>				
Exterior sound level (2000/14/EC - ISO 6395:2008) Lwa	dB(A)	101	101	101
Interior sound level (ISO 6396:2008) Lpa	dB(A)	80	80	83

\* All equipment dimension is based on cabin, standard boom/arm and counterweight.

# HS80V/HS120V/HT100V DIMENSIONS



	HS80V	HS120V	HT100V
Unit : mm			
B Overall length w/o bucket	2880	2880	2795
C Width over tires/tracks	1690	1820	1794
E Height to top of cab	2143	2161	2078
G Wheelbase	1080	1200	1435
H Ground clearance	140	195	230
K Bucket pin reach at max. lift	3030	3215	3211
N Max. dump angle	44	42	44.5
M Rollback angle (carry position)	27	29	29
L Turning radius from center - machine rear	1713	1788	1720
Q Rear departure angle	25	25	25
S Rollback angle at max. height	94.6	88.3	87.2

# HS80V/HS120V/HT100V STANDARD/OPTIONAL EQUIPMENT

	HS80V	HS120V	HT100V
<b>ENGINE</b>			
Electrical controlled engine	•	•	•
Fan clutch	•	•	•
Auto-idling	•	•	•
<b>CABIN</b>			
ROPS (Roll-over protective structure)	•	•	•
TOPS (Tip-over protective structure)	•	•	•
Adjustable mechanical suspension seat	•	•	•
3" Retractable seatbelt with warning alarm	•	•	•
Heating & air conditioning	•	•	•
Rear view camera	•	•	•
Travel alarm	•	•	•
Bluetooth radio with USB	•	•	•
12V power socket	•	•	•
Side & rear mirrors	•	•	•

• Standard

	HS80V	HS120V	HT100V
<b>WORKING EQUIPMENT</b>			
Hydraulic quick coupler	•	•	•
Boom float	•	•	•
14-pin coupler	•	•	•
Ride control system		•	•
Multifunction lever	•	•	•
Two-speed travel		•	•
Cabin LED light	•	•	•
Dial and foot throttle	•	•	•
Auto leveling system	•	•	•
High flow hydraulics		•	•
General purpose bucket	•	•	•
<b>UNDERCARRIAGE</b>			
400mm rubber track			•
12-16.5 Heavy duty tire	•	•	
<b>TELEMATICS</b>			
Hyundai telematic system HiMATE	•	•	•

# HYUNDAI

In Europe, Hyundai is operated and managed by:

HD Construction Equipment Hyundai Europe, Hyundaiiaan 4,  
3980 Tessenderlo-Ham, Belgium T +32 14 56 22 00 E info@hyundai.eu  
www.hyundai-ce.eu VAT BE0454495082

The information and data contained in this brochure is the property of HD Construction Equipment Hyundai Europe and has been compiled with the utmost care. Specifications and designs are subject to change at any time without notice. As general data, images and descriptions have been used in the brochure, Hyundai products may be fitted with non-standard equipment. The publication of this brochure cannot be regarded as an offer or proposal to contract and is intended for European markets only.



Scan to find out more  
about these products.

Contact your Hyundai dealer.

[hyundai-ce.eu/en/dealer-locator](https://www.hyundai-ce.eu/en/dealer-locator)