

# ARX 91

## ARTICULATED TANDEM ROLLER



### EFFICIENT COMPACTION

A unique propulsion system powers the Ammann ARX 91 Articulated Tandem Roller, helping it efficiently deliver the weight and vibration necessary to achieve optimum compaction results. A combination of drum dimensions, frequencies and amplitudes deliver outstanding results.

### COMPACTION OUTPUT

- Powerful combination of drum dimensions, frequencies and amplitudes
- 2 amplitudes and frequencies
- Smooth start-stop, operation for better surface finish

### OPERATOR PLATFORM

- Excellent view to drum surface, edges and sprinkling system
- Rotating/sliding seat

### ENGINE

- Reliable and fuel efficient engine

### MOBILITY

- Ideal steering angle and greater manoeuvrability

### EFFORTLESS OPERATION

- Convenient control locations
- Highly visible operator display
- Simple adjustment of amplitude and frequency
- Auto vibration
- Auto sprinkling system

### EASY MAINTENANCE

- Reliable, long-life vibration system
- Convenient access to service points and fluid ports

### APPLICATIONS

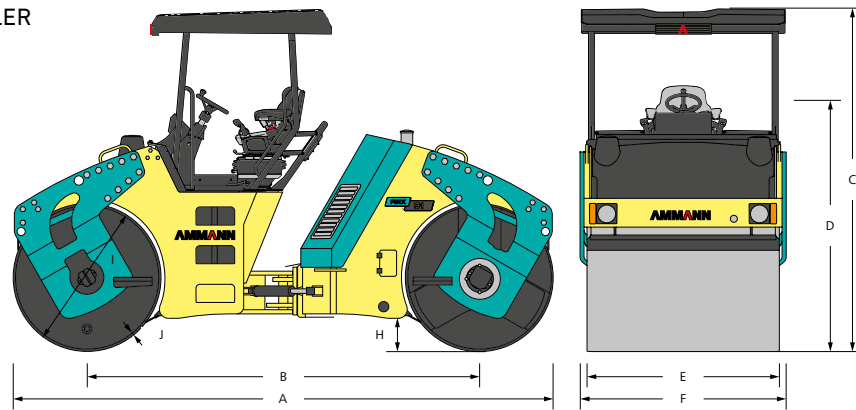
- Medium and large sized jobsites
- Transport construction (motorways, airfields)
- Building construction (industrial zones, harbours)

MAXIMUM RECOMMENDED COMPACTED LIFT THICKNESS AT OPTIMAL WORKING CONDITIONS

	Sand / Gravel	Mixed Soils	Silt	Clay	Stabilisation	Asphalt
ARX 91	0.42 m	0.32 m	-	-	0.22 m	0.15 m



TECHNICAL SPECIFICATIONS  
ARX 91 ARTICULATED TANDEM ROLLER



**DIMENSIONS**

A	MACHINE LENGTH	4720 mm
B	WHEELBASE	3475 mm
C	MACHINE HEIGHT WITH CANOPY	3000 mm
D	MACHINE HEIGHT (REMOVED CANOPY)	2350 mm
E	DRUM WIDTH	1700 mm
F	MACHINE WIDTH	1818 mm
H	GROUND CLEARANCE	290 mm
I	DRUM DIAMETER	1220 mm
J	DRUM SHELL THICKNESS	17 mm

**WEIGHT & DRIVING CHARACTERISTIC**

OPERATING WEIGHT	9200 kg
WEIGHT ON FRONT DRUM	4645 kg
WEIGHT ON REAR DRUM	4555 kg
STATIC LINEAR LOAD, FRONT	27.3 kg/cm
STATIC LINEAR LOAD, REAR	26.8 kg/cm
TRANSPORT SPEED (MAX)	12 km/h
WORKING SPEED (MAX)	7 km/h
CLIMBING ABILITY	40 %
TURNING RADIUS INNER (EDGE)	4650 mm
CURB CLEARANCE	691 mm
STEERING ANGLE	±35°
OSCILLATION ANGLE	±10°

**ENGINE**

MAKE/MODEL	Cummins 4B3.3TAA-60-C
POWER ACCORDING TO ISO 3046-1	60 kW (80 HP) @ 2200 rpm
NO. OF CYLINDERS	4
TYPE OF COOLING	Water
EMISSION REGULATIONS	BS-III/ Tier 3/ Stage 3A

**STANDARD EQUIPMENT**

- Open driver's platform with protection against vandalism
- Fixed steering column
- Sliding operator's station
- Single driver lever
- Pressurized sprinkling system
- Front head light & rear work light
- Fixed scrapers
- 2 amplitudes 2 frequencies
- Hydrostatic drive front and rear drums

**COMPACTION FORCES**

FREQUENCY (LOW)	42 Hz
FREQUENCY (HIGH)	55 Hz
AMPLITUDE (LOW)	0.35 mm
AMPLITUDE (HIGH)	0.7 mm
CENTRIFUGAL FORCE (LOW)	67 kN
CENTRIFUGAL FORCE (HIGH)	78 kN

**MISCELLANEOUS**

DRIVE SYSTEM	Axial piston pump - closed loop
VIBRATION SYSTEM	Axial piston pump - closed loop
STEERING SYSTEM	Gear pump
BRAKES OPERATING	Hydrostatic
BRAKES PARKING	SAHR (Spring Applied Hydraulically Released)
FUEL TANK CAPACITY	200 l
WATER TANK CAPACITY	1000 l
HYDRAULIC TANK CAPACITY	52 l
BATTERY VOLTAGE	12 V
BATTERY RATING	130 AH



**OPTIONAL EQUIPMENT**

- Suspended, rotating seat
- Adjustable steering column
- Hard canopy with rails
- ACE (Ammann Compaction Expert)
- Asphalt thermometer
- Edge Cutter
- Fire extinguisher
- Warning beacon
- Biodegradable hydraulic oil
- Customer color scheme
- Toolkit
- Service kit for 500 hours